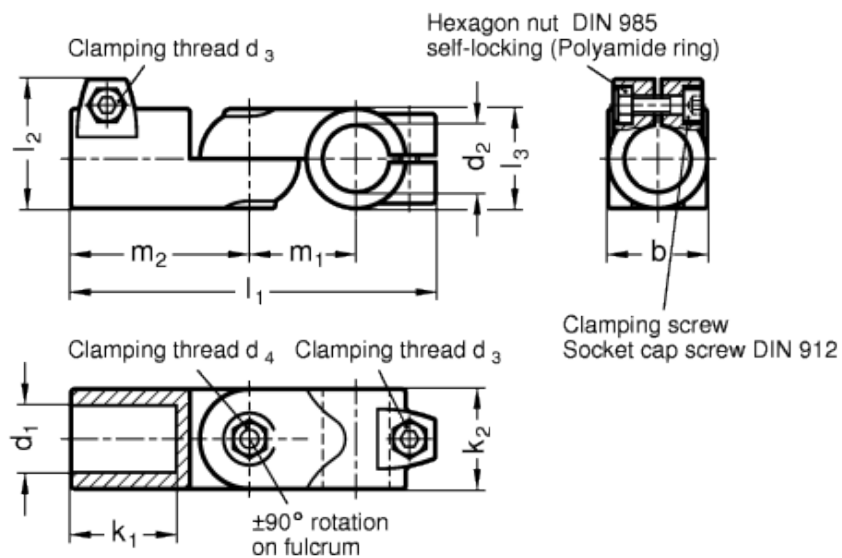
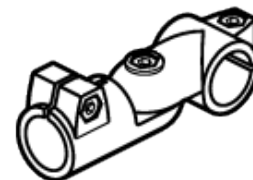
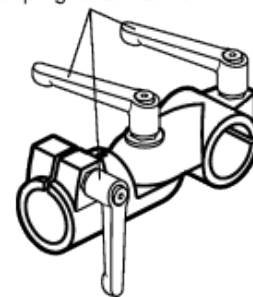


GN 288

Pivoting connecting clamps



Adjustable clamping lever GN 911



technical informations

Material
Aluminium.

Finish

- Version SW: RAL 9005 black colour, matte finish, epoxy resin coating.
- Version BL: blank, matte shot-blasted.

Types

- Type S: steppless adjustment.
- Type T: adjustment by 15° -division (serration).

Clamping screws

Identification no. 2: with three AISI 304 stainless steel-clamping screws DIN 912 and nuts DIN 985.

Assembly

The standard clamping bolts are socket cap screws DIN 912, supplied assembled. They can be replaced by clamping kits GN 911 (description see table of dimensions).

Features and applications

The swivel clamp connector joints GN 288 are an assembly of swivel clamp connectors GN 276 and GN 278.

For the type with a stepless adjustment (Type S) swivel clamp connectors with a centring step are used. Since the latter have an identical swivel width "b", all bores " d_1 / d_2 " can be combined as required.

The clamping bore is machined and designed for construction tubings GN 990 or DIN 2391, DIN 2395 and DIN 2462 respectively.

Accessories

- Tubings [GN 990](#).
- Clamping kits [GN 911](#) (clamping handles GN 300.1 with distance bushing).

| Standard Elements | Main dimensions | Clamping kits | Weight |
|-------------------|-----------------|---------------|--------|
|-------------------|-----------------|---------------|--------|

| Description | d ₁ | d ₂ | b | d ₃ | d ₄ | k ₁ | k ₂ | l ₁ | l ₂ | l ₃ | m ₁ | m ₂ | For d ₃ | For d ₄ | g |
|----------------------|----------------|----------------|----|----------------|----------------|----------------|----------------|----------------|----------------|----------------|----------------|----------------|--------------------|--------------------|------|
| GN 288-B20-B20-S-2-* | B 20 | B 20 | 40 | M 8 | M 8 | 42.5 | 40 | 147 | 52 | 40 | 43 | 72 | GN 911-M8-32 | GN 911-M8-35 | 410 |
| GN 288-B20-B25-S-2-* | B 20 | B 25 | 40 | M 8 | M 8 | 42.5 | 40 | 147 | 52 | 40 | 43 | 72 | GN 911-M8-32 | GN 911-M8-35 | 410 |
| GN 288-B20-B30-S-2-* | B 20 | B 30 | 40 | M 8 | M 8 | 42.5 | 40 | 147 | 52 | 40 | 43 | 72 | GN 911-M8-32 | GN 911-M8-35 | 345 |
| GN 288-B25-B20-S-2-* | B 25 | B 20 | 40 | M 8 | M 8 | 42.5 | 40 | 147 | 52 | 40 | 43 | 72 | GN 911-M8-32 | GN 911-M8-35 | 375 |
| GN 288-B25-B25-S-2-* | B 25 | B 25 | 40 | M 8 | M 8 | 42.5 | 40 | 147 | 52 | 40 | 43 | 72 | GN 911-M8-32 | GN 911-M8-35 | 375 |
| GN 288-B25-B30-S-2-* | B 25 | B 30 | 40 | M 8 | M 8 | 42.5 | 40 | 147 | 52 | 40 | 43 | 72 | GN 911-M8-32 | GN 911-M8-35 | 375 |
| GN 288-B30-B20-S-2-* | B 30 | B 20 | 40 | M 8 | M 8 | 42.5 | 40 | 147 | 52 | 40 | 43 | 72 | GN 911-M8-32 | GN 911-M8-35 | 325 |
| GN 288-B30-B25-S-2-* | B 30 | B 25 | 40 | M 8 | M 8 | 42.5 | 40 | 147 | 52 | 40 | 43 | 72 | GN 911-M8-32 | GN 911-M8-35 | 340 |
| GN 288-B30-B30-S-2-* | B 30 | B 30 | 40 | M 8 | M 8 | 42.5 | 40 | 147 | 52 | 40 | 43 | 72 | GN 911-M8-32 | GN 911-M8-35 | 325 |
| GN 288-B40-B40-S-2-* | B 40 | B 40 | 65 | M 10 | M 10 | 74 | 65 | 230 | 77.5 | 65 | 70 | 115 | GN 911-M10-55 | GN 911-M10-63 | 1500 |
| GN 288-B40-B42-S-2-* | B 40 | B 42 | 65 | M 10 | M 10 | 74 | 65 | 230 | 77.5 | 65 | 70 | 115 | GN 911-M10-55 | GN 911-M10-63 | 1510 |
| GN 288-B40-B45-S-2-* | B 40 | B 45 | 65 | M 10 | M 10 | 74 | 65 | 230 | 77.5 | 65 | 70 | 115 | GN 911-M10-55 | GN 911-M10-63 | 1500 |
| GN 288-B40-B48-S-2-* | B 40 | B 48 | 65 | M 10 | M 10 | 74 | 65 | 230 | 77.5 | 65 | 70 | 115 | GN 911-M10-55 | GN 911-M10-63 | 1500 |
| GN 288-B40-B50-S-2-* | B 40 | B 50 | 65 | M 10 | M 10 | 74 | 65 | 230 | 77.5 | 65 | 70 | 115 | GN 911-M10-55 | GN 911-M10-63 | 1490 |
| GN 288-B42-B40-S-2-* | B 42 | B 40 | 65 | M 10 | M 10 | 74 | 65 | 230 | 77.5 | 65 | 70 | 115 | GN 911-M10-55 | GN 911-M10-63 | 1470 |
| GN 288-B42-B42-S-2-* | B 42 | B 42 | 65 | M 10 | M 10 | 74 | 65 | 230 | 77.5 | 65 | 70 | 115 | GN 911-M10-55 | GN 911-M10-63 | 1465 |
| GN 288-B42-B45-S-2-* | B 42 | B 45 | 65 | M 10 | M 10 | 74 | 65 | 230 | 77.5 | 65 | 70 | 115 | GN 911-M10-55 | GN 911-M10-63 | 1460 |
| GN 288-B42-B48-S-2-* | B 42 | B 48 | 65 | M 10 | M 10 | 74 | 65 | 230 | 77.5 | 65 | 70 | 115 | GN 911-M10-55 | GN 911-M10-63 | 1455 |
| GN 288-B42-B50-S-2-* | B 42 | B 50 | 65 | M 10 | M 10 | 74 | 65 | 230 | 77.5 | 65 | 70 | 115 | GN 911-M10-55 | GN 911-M10-63 | 1450 |
| GN 288-B45-B40-S-2-* | B 45 | B 40 | 65 | M 10 | M 10 | 74 | 65 | 230 | 77.5 | 65 | 70 | 115 | GN 911-M10-55 | GN 911-M10-63 | 1410 |
| GN 288-B45-B42-S-2-* | B 45 | B 42 | 65 | M 10 | M 10 | 74 | 65 | 230 | 77.5 | 65 | 70 | 115 | GN 911-M10-55 | GN 911-M10-63 | 1405 |
| GN 288-B45-B45-S-2-* | B 45 | B 45 | 65 | M 10 | M 10 | 74 | 65 | 230 | 77.5 | 65 | 70 | 115 | GN 911-M10-55 | GN 911-M10-63 | 1400 |
| GN 288-B45-B48-S-2-* | B 45 | B 48 | 65 | M 10 | M 10 | 74 | 65 | 230 | 77.5 | 65 | 70 | 115 | GN 911-M10-55 | GN 911-M10-63 | 1395 |
| GN 288-B45-B50-S-2-* | B 45 | B 50 | 65 | M 10 | M 10 | 74 | 65 | 230 | 77.5 | 65 | 70 | 115 | GN 911-M10-55 | GN 911-M10-63 | 1390 |
| GN 288-B48-B40-S-2-* | B 48 | B 40 | 65 | M 10 | M 10 | 74 | 65 | 230 | 77.5 | 65 | 70 | 115 | GN 911-M10-55 | GN 911-M10-63 | 1270 |
| GN 288-B48-B42-S-2-* | B 48 | B 42 | 65 | M 10 | M 10 | 74 | 65 | 230 | 77.5 | 65 | 70 | 115 | GN 911-M10-55 | GN 911-M10-63 | 1265 |
| GN 288-B48-B45-S-2-* | B 48 | B 45 | 65 | M 10 | M 10 | 74 | 65 | 230 | 77.5 | 65 | 70 | 115 | GN 911-M10-55 | GN 911-M10-63 | 1260 |
| GN 288-B48-B48-S-2-* | B 48 | B 48 | 65 | M 10 | M 10 | 74 | 65 | 230 | 77.5 | 65 | 70 | 115 | GN 911-M10-55 | GN 911-M10-63 | 1300 |
| GN 288-B48-B50-S-2-* | B 48 | B 50 | 65 | M 10 | M 10 | 74 | 65 | 230 | 77.5 | 65 | 70 | 115 | GN 911-M10-55 | GN 911-M10-63 | 1295 |
| GN 288-B50-B40-S-2-* | B 50 | B 40 | 65 | M 10 | M 10 | 74 | 65 | 230 | 77.5 | 65 | 70 | 115 | GN 911-M10-55 | GN 911-M10-63 | 1275 |
| GN 288-B50-B42-S-2-* | B 50 | B 42 | 65 | M 10 | M 10 | 74 | 65 | 230 | 77.5 | 65 | 70 | 115 | GN 911-M10-55 | GN 911-M10-63 | 1275 |
| GN 288-B50-B45-S-2-* | B 50 | B 45 | 65 | M 10 | M 10 | 74 | 65 | 230 | 77.5 | 65 | 70 | 115 | GN 911-M10-55 | GN 911-M10-63 | 1270 |
| GN 288-B50-B48-S-2-* | B 50 | B 48 | 65 | M 10 | M 10 | 74 | 65 | 230 | 77.5 | 65 | 70 | 115 | GN 911-M10-55 | GN 911-M10-63 | 1265 |
| GN 288-B50-B50-S-2-* | B 50 | B 50 | 65 | M 10 | M 10 | 74 | 65 | 230 | 77.5 | 65 | 70 | 115 | GN 911-M10-55 | GN 911-M10-63 | 1275 |
| GN 288-B20-B20-T-2-* | B 20 | B 20 | 40 | M 8 | M 8 | 42.5 | 40 | 147 | 52 | 40 | 43 | 72 | GN 911-M8-32 | GN 911-M8-35 | 420 |
| GN 288-B20-B25-T-2-* | B 20 | B 25 | 40 | M 8 | M 8 | 42.5 | 40 | 147 | 52 | 40 | 43 | 72 | GN 911-M8-32 | GN 911-M8-35 | 410 |
| GN 288-B20-B30-T-2-* | B 20 | B 30 | 40 | M 8 | M 8 | 42.5 | 40 | 147 | 52 | 40 | 43 | 72 | GN 911-M8-32 | GN 911-M8-35 | 420 |
| GN 288-B25-B20-T-2-* | B 25 | B 20 | 40 | M 8 | M 8 | 42.5 | 40 | 147 | 52 | 40 | 43 | 72 | GN 911-M8-32 | GN 911-M8-35 | 380 |
| GN 288-B25-B25-T-2-* | B 25 | B 25 | 40 | M 8 | M 8 | 42.5 | 40 | 147 | 52 | 40 | 43 | 72 | GN 911-M8-32 | GN 911-M8-35 | 380 |
| GN 288-B25-B30-T-2-* | B 25 | B 30 | 40 | M 8 | M 8 | 42.5 | 40 | 147 | 52 | 40 | 43 | 72 | GN 911-M8-32 | GN 911-M8-35 | 380 |
| GN 288-B30-B20-T-2-* | B 30 | B 20 | 40 | M 8 | M 8 | 42.5 | 40 | 147 | 52 | 40 | 43 | 72 | GN 911-M8-32 | GN 911-M8-35 | 325 |
| GN 288-B30-B25-T-2-* | B 30 | B 25 | 40 | M 8 | M 8 | 42.5 | 40 | 147 | 52 | 40 | 43 | 72 | GN 911-M8-32 | GN 911-M8-35 | 340 |
| GN 288-B30-B30-T-2-* | B 30 | B 30 | 40 | M 8 | M 8 | 42.5 | 40 | 147 | 52 | 40 | 43 | 72 | GN 911-M8-32 | GN 911-M8-35 | 330 |

| | | | | | | | | | | | | | | | |
|----------------------|------|------|----|------|------|----|----|-----|------|----|----|-----|---------------|---------------|------|
| GN 288-B40-B40-T-2-* | B 40 | B 40 | 65 | M 10 | M 10 | 74 | 65 | 230 | 77.5 | 65 | 70 | 115 | GN 911-M10-55 | GN 911-M10-63 | 1510 |
| GN 288-B40-B42-T-2-* | B 40 | B 42 | 65 | M 10 | M 10 | 74 | 65 | 230 | 77.5 | 65 | 70 | 115 | GN 911-M10-55 | GN 911-M10-63 | 1510 |
| GN 288-B40-B45-T-2-* | B 40 | B 45 | 65 | M 10 | M 10 | 74 | 65 | 230 | 77.5 | 65 | 70 | 115 | GN 911-M10-55 | GN 911-M10-63 | 1500 |
| GN 288-B40-B48-T-2-* | B 40 | B 48 | 65 | M 10 | M 10 | 74 | 65 | 230 | 77.5 | 65 | 70 | 115 | GN 911-M10-55 | GN 911-M10-63 | 1500 |
| GN 288-B40-B50-T-2-* | B 40 | B 50 | 65 | M 10 | M 10 | 74 | 65 | 230 | 77.5 | 65 | 70 | 115 | GN 911-M10-55 | GN 911-M10-63 | 1490 |
| GN 288-B42-B40-T-2-* | B 42 | B 40 | 65 | M 10 | M 10 | 74 | 65 | 230 | 77.5 | 65 | 70 | 115 | GN 911-M10-55 | GN 911-M10-63 | 1470 |
| GN 288-B42-B42-T-2-* | B 42 | B 42 | 65 | M 10 | M 10 | 74 | 65 | 230 | 77.5 | 65 | 70 | 115 | GN 911-M10-55 | GN 911-M10-63 | 1475 |
| GN 288-B42-B45-T-2-* | B 42 | B 45 | 65 | M 10 | M 10 | 74 | 65 | 230 | 77.5 | 65 | 70 | 115 | GN 911-M10-55 | GN 911-M10-63 | 1460 |
| GN 288-B42-B48-T-2-* | B 42 | B 48 | 65 | M 10 | M 10 | 74 | 65 | 230 | 77.5 | 65 | 70 | 115 | GN 911-M10-55 | GN 911-M10-63 | 1455 |
| GN 288-B42-B50-T-2-* | B 42 | B 50 | 65 | M 10 | M 10 | 74 | 65 | 230 | 77.5 | 65 | 70 | 115 | GN 911-M10-55 | GN 911-M10-63 | 1450 |
| GN 288-B45-B40-T-2-* | B 45 | B 40 | 65 | M 10 | M 10 | 74 | 65 | 230 | 77.5 | 65 | 70 | 115 | GN 911-M10-55 | GN 911-M10-63 | 1410 |
| GN 288-B45-B42-T-2-* | B 45 | B 42 | 65 | M 10 | M 10 | 74 | 65 | 230 | 77.5 | 65 | 70 | 115 | GN 911-M10-55 | GN 911-M10-63 | 1405 |
| GN 288-B45-B45-T-2-* | B 45 | B 45 | 65 | M 10 | M 10 | 74 | 65 | 230 | 77.5 | 65 | 70 | 115 | GN 911-M10-55 | GN 911-M10-63 | 1400 |
| GN 288-B45-B48-T-2-* | B 45 | B 48 | 65 | M 10 | M 10 | 74 | 65 | 230 | 77.5 | 65 | 70 | 115 | GN 911-M10-55 | GN 911-M10-63 | 1395 |
| GN 288-B45-B50-T-2-* | B 45 | B 50 | 65 | M 10 | M 10 | 74 | 65 | 230 | 77.5 | 65 | 70 | 115 | GN 911-M10-55 | GN 911-M10-63 | 1390 |
| GN 288-B48-B40-T-2-* | B 48 | B 40 | 65 | M 10 | M 10 | 74 | 65 | 230 | 77.5 | 65 | 70 | 115 | GN 911-M10-55 | GN 911-M10-63 | 1270 |
| GN 288-B48-B42-T-2-* | B 48 | B 42 | 65 | M 10 | M 10 | 74 | 65 | 230 | 77.5 | 65 | 70 | 115 | GN 911-M10-55 | GN 911-M10-63 | 1265 |
| GN 288-B48-B45-T-2-* | B 48 | B 45 | 65 | M 10 | M 10 | 74 | 65 | 230 | 77.5 | 65 | 70 | 115 | GN 911-M10-55 | GN 911-M10-63 | 1260 |
| GN 288-B48-B48-T-2-* | B 48 | B 48 | 65 | M 10 | M 10 | 74 | 65 | 230 | 77.5 | 65 | 70 | 115 | GN 911-M10-55 | GN 911-M10-63 | 1315 |
| GN 288-B48-B50-T-2-* | B 48 | B 50 | 65 | M 10 | M 10 | 74 | 65 | 230 | 77.5 | 65 | 70 | 115 | GN 911-M10-55 | GN 911-M10-63 | 1295 |
| GN 288-B50-B40-T-2-* | B 50 | B 40 | 65 | M 10 | M 10 | 74 | 65 | 230 | 77.5 | 65 | 70 | 115 | GN 911-M10-55 | GN 911-M10-63 | 1275 |
| GN 288-B50-B42-T-2-* | B 50 | B 42 | 65 | M 10 | M 10 | 74 | 65 | 230 | 77.5 | 65 | 70 | 115 | GN 911-M10-55 | GN 911-M10-63 | 1275 |
| GN 288-B50-B45-T-2-* | B 50 | B 45 | 65 | M 10 | M 10 | 74 | 65 | 230 | 77.5 | 65 | 70 | 115 | GN 911-M10-55 | GN 911-M10-63 | 1270 |
| GN 288-B50-B48-T-2-* | B 50 | B 48 | 65 | M 10 | M 10 | 74 | 65 | 230 | 77.5 | 65 | 70 | 115 | GN 911-M10-55 | GN 911-M10-63 | 1265 |
| GN 288-B50-B50-T-2-* | B 50 | B 50 | 65 | M 10 | M 10 | 74 | 65 | 230 | 77.5 | 65 | 70 | 115 | GN 911-M10-55 | GN 911-M10-63 | 1285 |

* Complete the description of the standard item needed by adding the finish of the connector clamps: BL (blank) or SW (black).



STANDARD MACHINE ELEMENTS WORLDWIDE